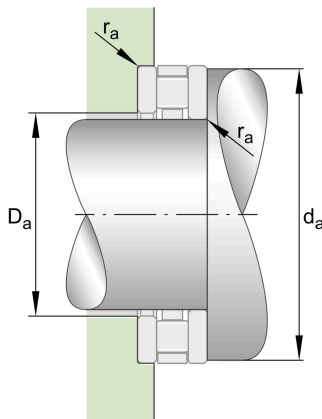
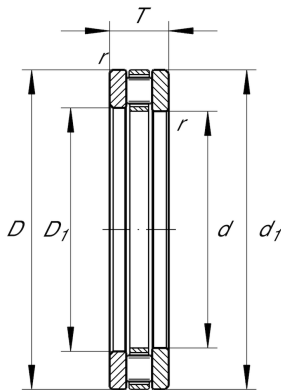
**81212-TV**

## Axial cylindrical roller bearing

Schaeffler ID:  
0007167230000Axial cylindrical roller bearings 812, single  
direction, comprising K812, GS, WS

## Technical information

**Main Dimensions & Performance Data**

d	60 mm	Bore diameter
D	95 mm	Outside diameter
T	26 mm	Height
$C_a$	173,000 N	Basic dynamic load rating, axial
$C_{0a}$	480,000 N	Basic static load rating, axial
$C_{ua}$	46,500 N	Fatigue load limit, axial
$n_G$	3,700 1/min	Limiting speed
$n_{gr}$	1,300 1/min	Reference speed
	0.642 kg	Weight

**Additional information**

	K81212-TV	Axial roller and cage assembly
$D_1$	62 mm	Bore diameter housing washer
	GS81212	Housing Washer
$d_1$	95 mm	Rip diameter shaft washer
	WS81212	Shaft washer
	LS7095	Track Washer
$r_{min}$	1 mm	Minimum chamfer dimension

**Mounting dimensions**

$d_{a min}$	91 mm	Minimum diameter shaft shoulder
$D_{a max}$	64 mm	Maximum diameter of housing shoulder
$r_{a max}$	1 mm	Maximum recess radius

**Temperature range**

$T_{min}$	-30 °C	Operating temperature min.
$T_{max}$	120 °C	Operating temperature max.